

Part #: 924A  
Description: SFZ / SPZ - LED Light Kit Installation  
Date: 07/15/18

### Instructions for Installing the 924A SFZ / SPZ LED Light Kit

**-WARNING-**

*Only mow in daylight. This light kit is not intended for use while mowing, or for operation on public roads. This is intended for transport to and from trailers and movement in storage facilities.*

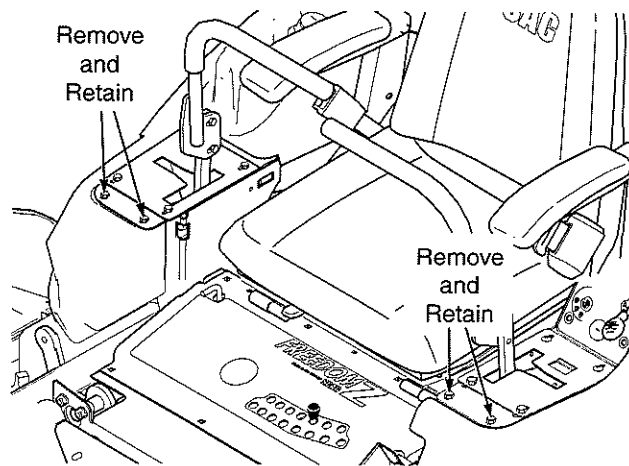
**- NOTE -**

*Please read through and become familiar with these instructions before beginning to install this kit.*

*The following tools are required for installation of this light kit*

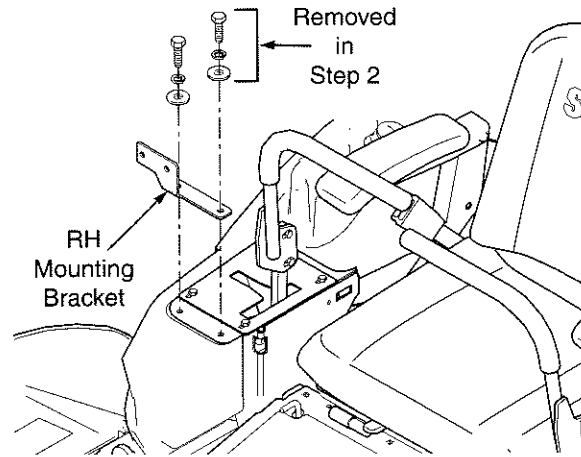
- 1 - 3/8" wrench or socket*
- 1 - 7/16" wrench*
- 1 - 7/16" socket*
- 1 - 1/2" wrench or socket*
- 1 - 13mm wrench & socket*
- 1 - sidecutter*

1. Prepare the machine so there is easy and safe access to the work area. Maintain all safety related work procedures. Stop the engine, remove the ignition key, wait for all moving parts to come to a complete stop and apply the parking brake. Disconnect the negative cable from the battery. Always wear eye and hand protection.
2. Remove and retain the hardware indicated in Figure 1. This hardware will be required when installing the light mounting brackets.



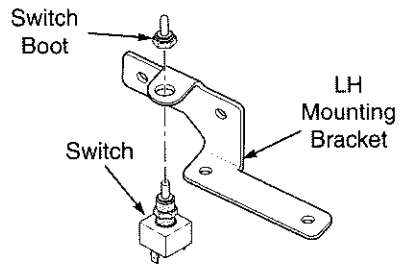
**Figure 1 Remove & Retain Hardware**

3. Using the hardware that was removed in the previous step, install the RH light mounting bracket and secure as shown in Figure 2, Page 2.



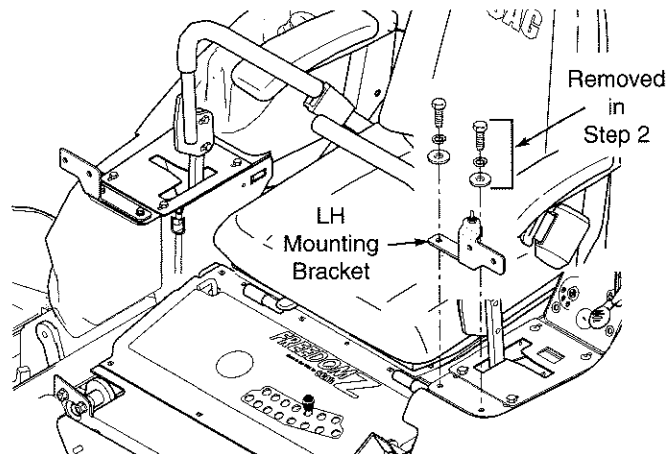
**Figure 2. Install RH Mounting Bracket**

4. Install the light switch and rubber switch boot to the LH light mounting bracket. See Figure 3.



**Figure 3. Assemble Switch onto LH Bracket**

5. Install the LH light mounting bracket onto the machine and secure using the hardware that was removed in step number 2. See Figure 4.



**Figure 4. Install LH Mounting Bracket**

6. Identify the mounting brackets supplied with each light assembly included in this kit. Install (1) one 5/16-18 x 3/4" bolt into the mounting bracket as shown in Figure 5. Using the hardware provided with each light assembly, install (1) one mounting bracket onto each light and secure using (1) one M8-1.25 x 35 hex head bolt, (1) one M8 lockwasher and (1) one M8-1.25 nut. See Figure 5. Do not tighten hardware at this time.

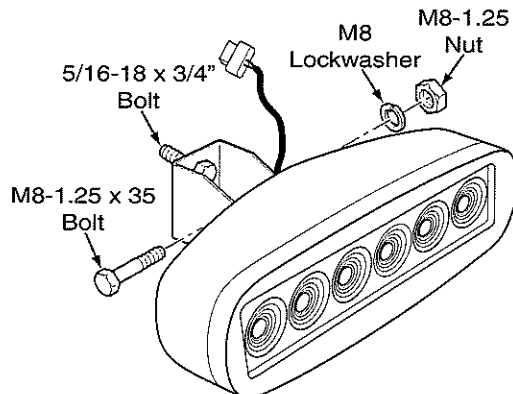


Figure 5. Assemble Mounting Brackets

7. Install (1) one light assembly and (1) one shock mount pad to the RH & LH light mounting brackets and secure using the 5/16-18 x 3/4" bolt(s) installed in the previous step, and (1) one 5/16-18 elastic stop nut. See Figure 6. Do not tighten hardware at this time. *Note - SFZ machines equipped with 90 degree brake levers (identified below) will require the light assemblies to be installed in the outer mounting holes provided in the light mounting brackets. SPZ and SFZ machines fitted with straight brake levers may use inboard or outboard holes.*

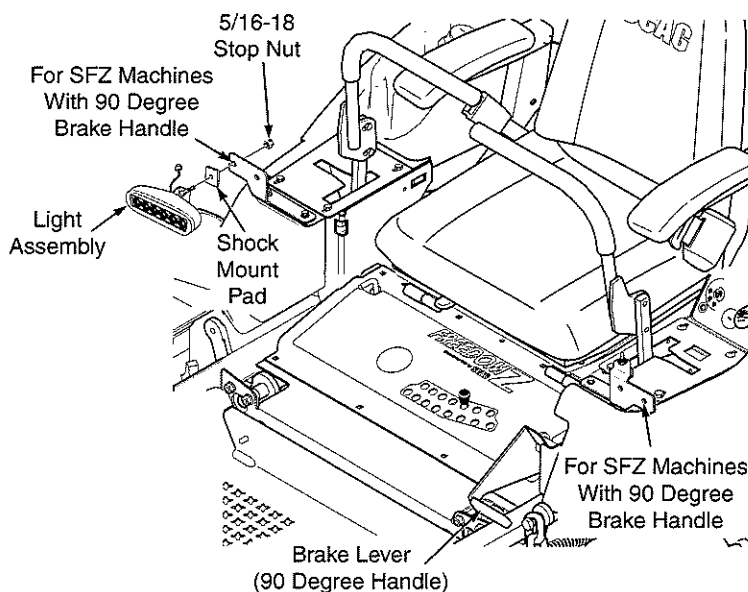


Figure 6. Install Light Assemblies

8. Route the wire harness and secure using the cable ties provided with this kit as shown. See Figure 7.

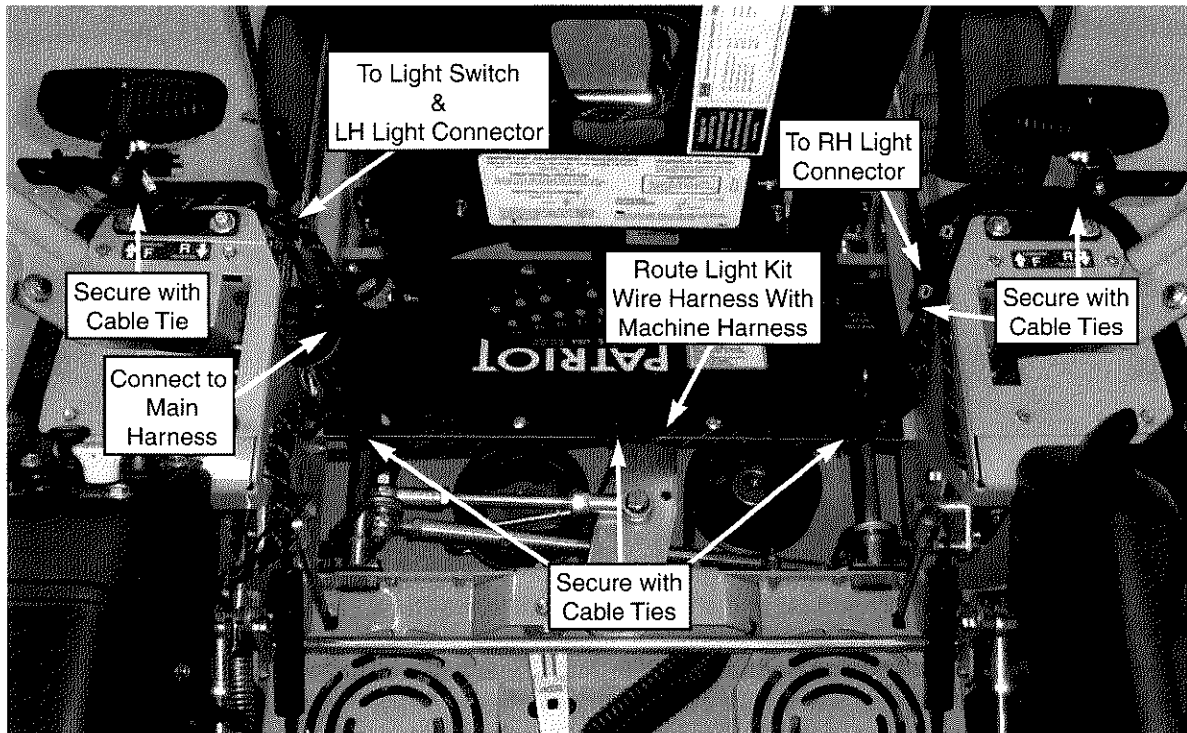


Figure 7. Route & Secure Wire Harness

9. Connect the wire harness to the LH & RH Light assemblies.
10. Connect the wire harness to the light on/off switch.
11. Connect the light kit wire harness to the machine main wire harness. See Figure 7.
12. Operate and Test.

- Note -

*The ignition key switch must be in the on position for the light kit to operate.*